



Crestline Chev - CCL 150 Tall Roof

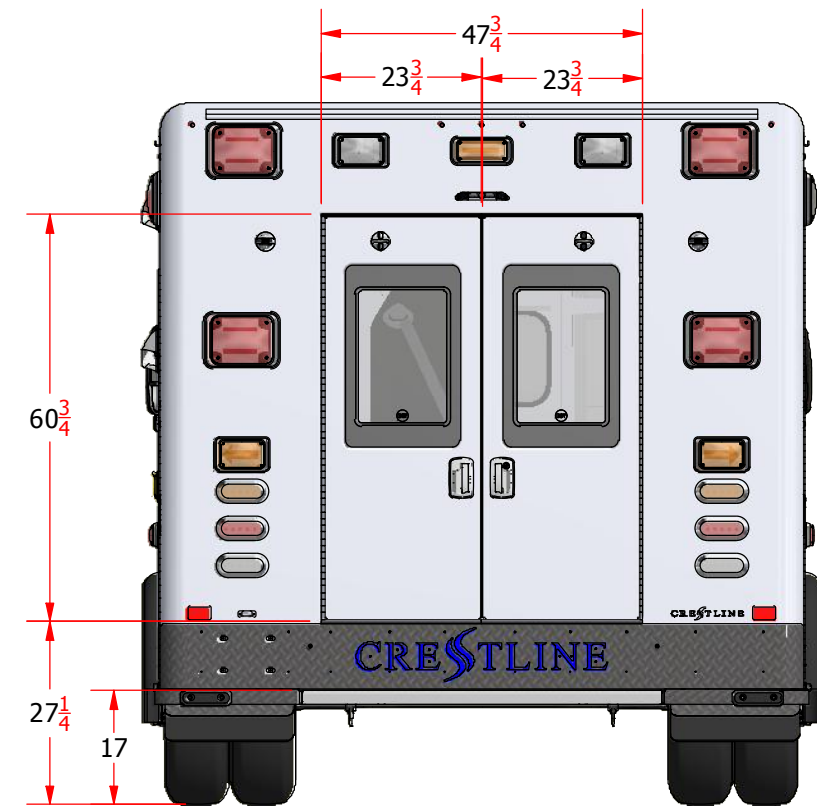
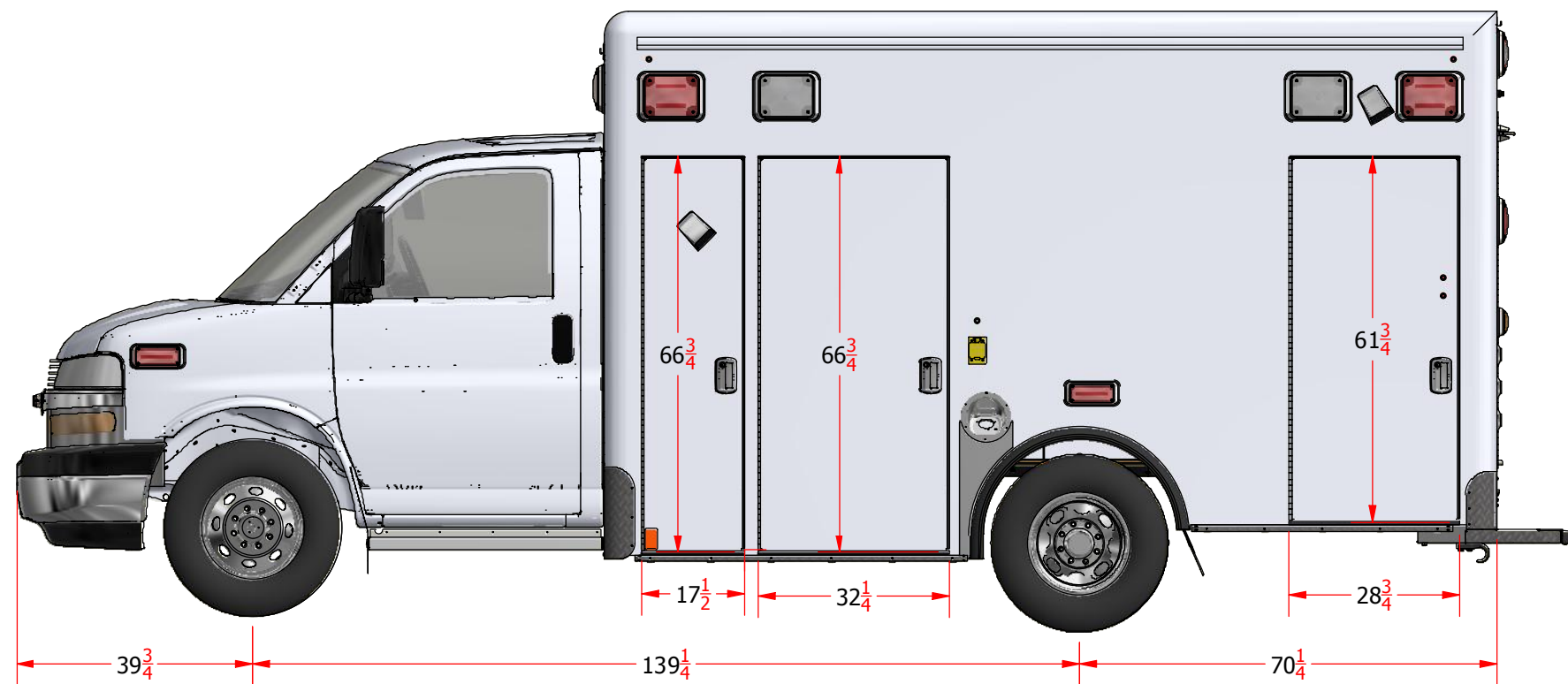
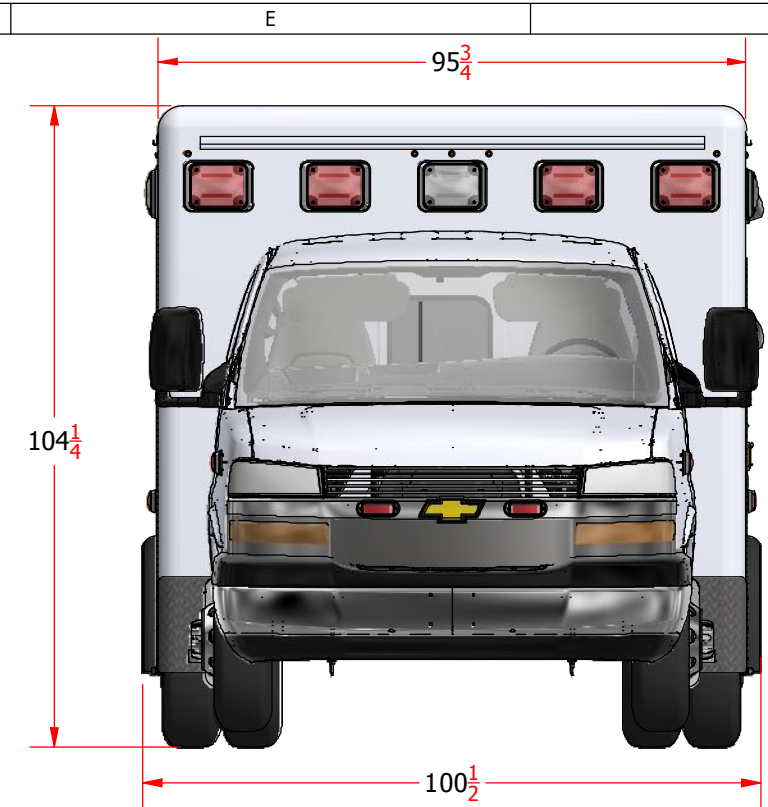
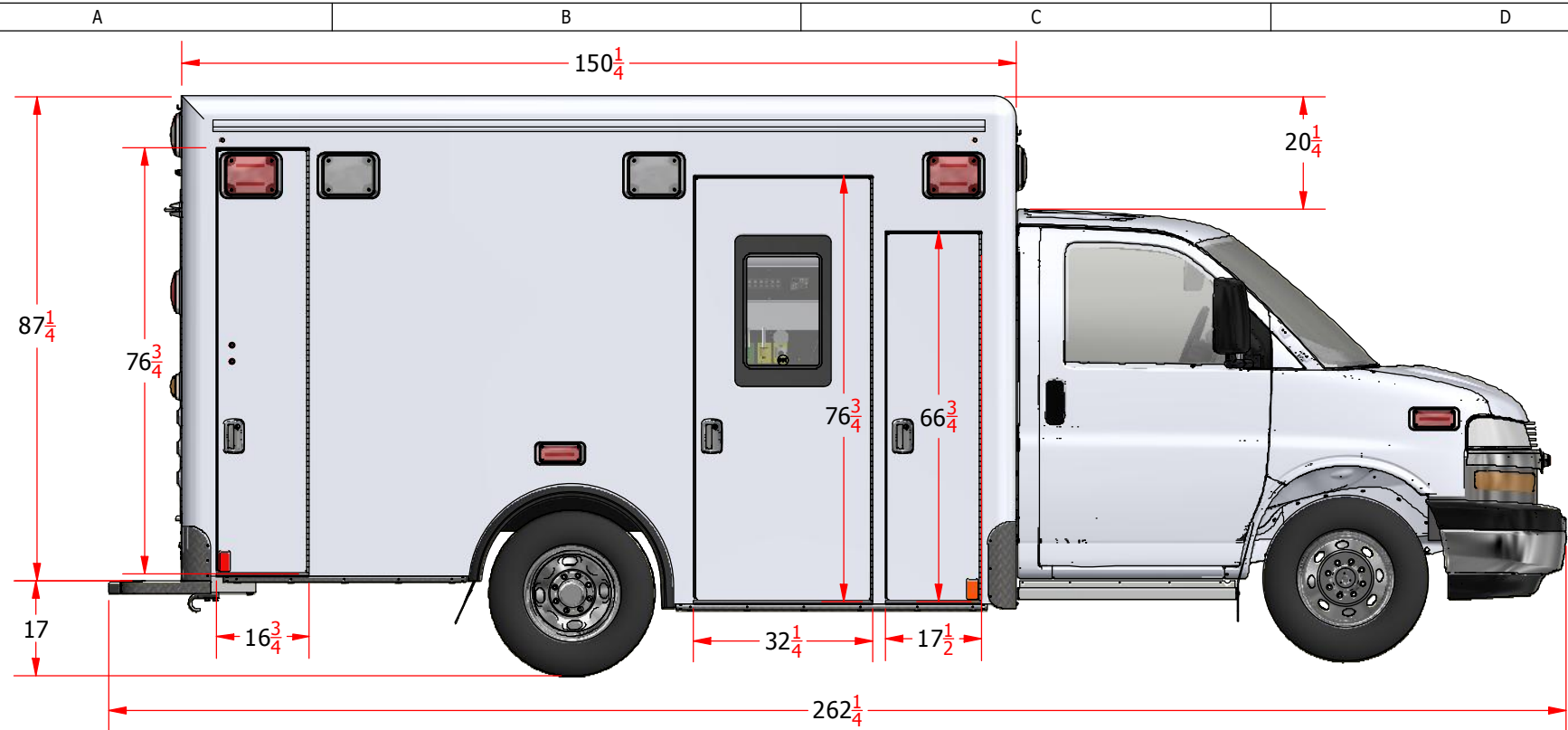
ALL INFORMATION SHOWN IS SUBJECT TO CHANGE. FOR REPRESENTATIVE OR VISUAL PURPOSES ONLY. NOT INTENDED TO BE USED AS A MANUFACTURING DRAWING.			
ALL INFORMATION ON THIS DRAWING IS CONFIDENTIAL. ALL COPIES OF THIS DOCUMENT MUST BE RETURNED OR DESTROYED UPON REQUEST BY CRESTLINE COACH.			
DATE:	VIEW:	CRESTLINE	
MODEL:	CCL 150	DESCRIPTION:	CCL 150 TALL ROOF, CHEV 3500 139"WB
PAGE:	CUSTOMER:	REV	FILENAME:
1 of 22		0	AMB2020007



ALL INFORMATION SHOWN IS SUBJECT TO CHANGE. FOR REPRESENTATIVE OR VISUAL PURPOSES ONLY. NOT INTENDED TO BE USED AS A MANUFACTURING DRAWING.

ALL INFORMATION ON THIS DRAWING IS CONFIDENTIAL. ALL COPIES OF THIS DOCUMENT MUST BE RETURNED OR DESTROYED UPON REQUEST BY CRESTLINE COACH.

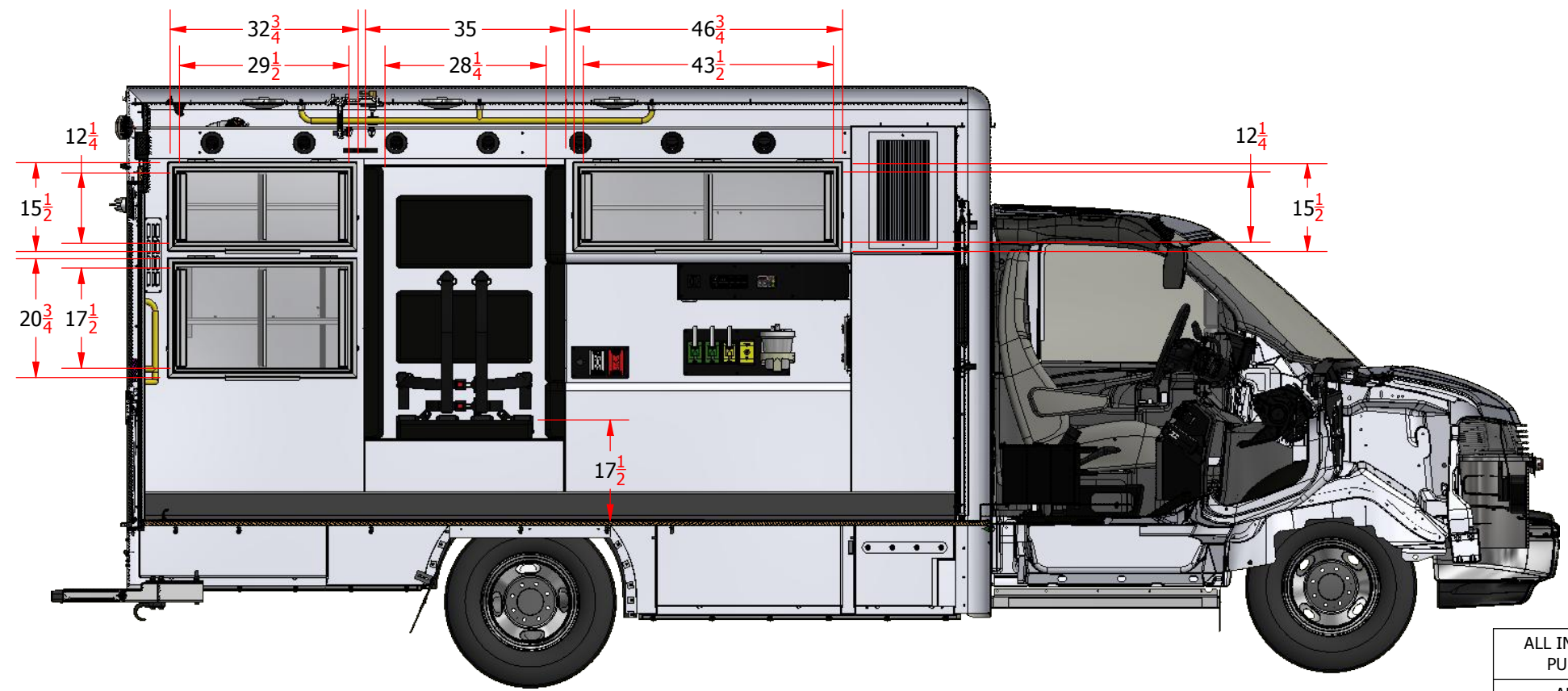
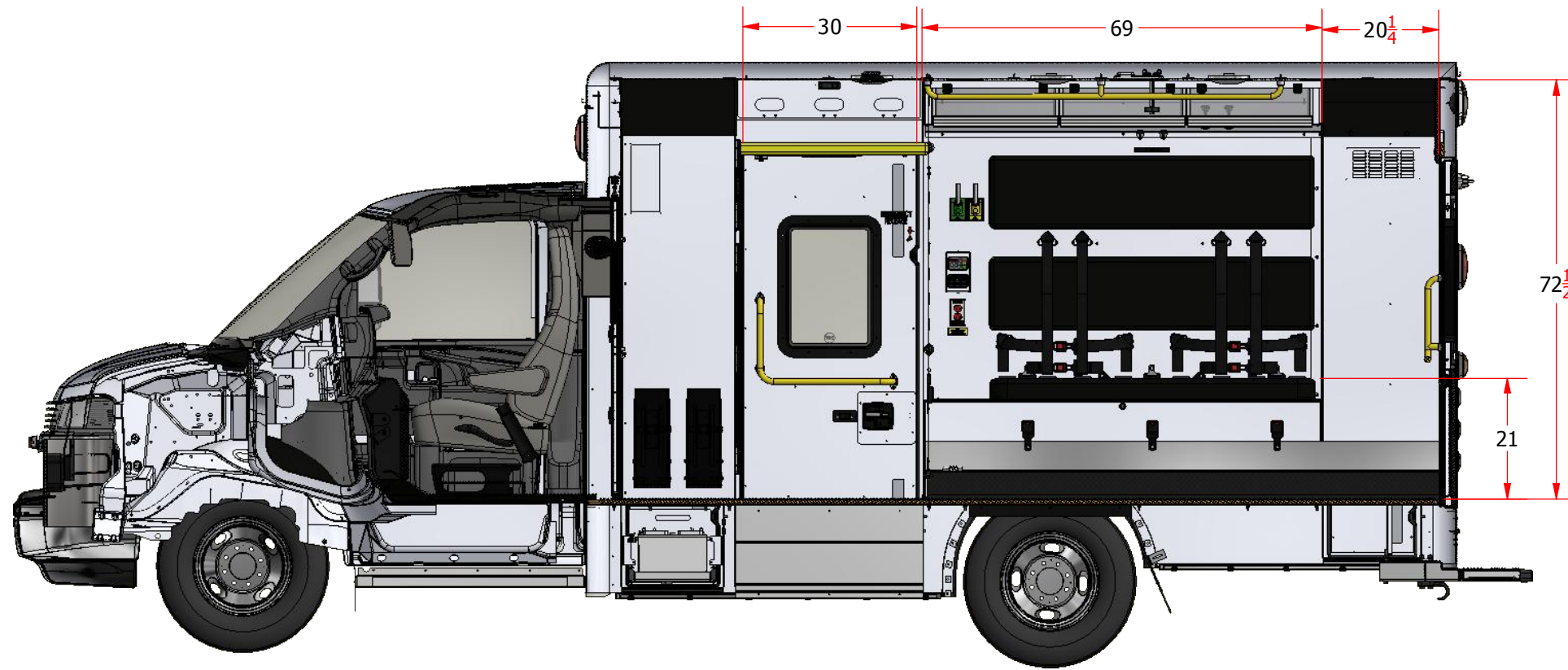
DATE:	VIEW:	CRESTLINE	
MODEL:	CCL 150	DESCRIPTION:	CCL 150 TALL ROOF, CHEV 3500 139"WB
PAGE:	CUSTOMER:	REV	FILENAME:
2 OF 22		0	AMB2020007



ALL INFORMATION SHOWN IS SUBJECT TO CHANGE. FOR REPRESENTATIVE OR VISUAL PURPOSES ONLY. NOT INTENDED TO BE USED AS A MANUFACTURING DRAWING.

ALL INFORMATION ON THIS DRAWING IS CONFIDENTIAL. ALL COPIES OF THIS DOCUMENT MUST BE RETURNED OR DESTROYED UPON REQUEST BY CRESTLINE COACH.

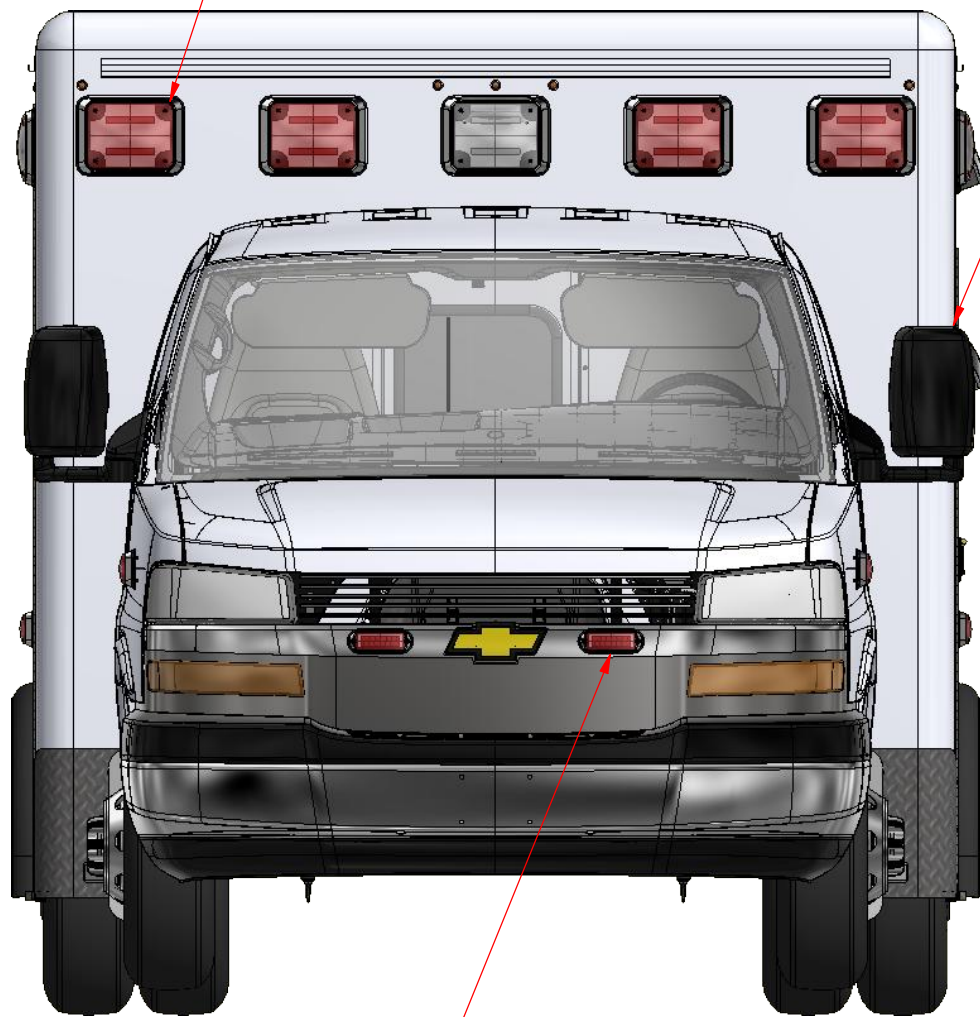
DATE:	VIEW:	CRESTLINE	
MODEL:	CCL 150	DESCRIPTION:	CCL 150 TALL ROOF, CHEV 3500 139"WB
PAGE:	3 OF 22	CUSTOMER:	REV 0 FILENAME: AMB2020007



ALL INFORMATION SHOWN IS SUBJECT TO CHANGE. FOR REPRESENTATIVE OR VISUAL PURPOSES ONLY. NOT INTENDED TO BE USED AS A MANUFACTURING DRAWING.

ALL INFORMATION ON THIS DRAWING IS CONFIDENTIAL. ALL COPIES OF THIS DOCUMENT MUST BE RETURNED OR DESTROYED UPON REQUEST BY CRESTLINE COACH.

DATE:	VIEW:	internal imp dimensions	CRESTLINE
MODEL:	CCL 150	DESCRIPTION:	
PAGE:	CUSTOMER:	REV	FILENAME:
4 OF 22		0	AMB2020007



Front 5 emergency light configuration (shown)
 (Optional 7 light configuration available
 5 x 900 series (R/R/W/R/R) (Shown)
 7 x 900 series (R/R/R/W/R/R/R) (Optional)
 (Optional chrome flanges available)-shown

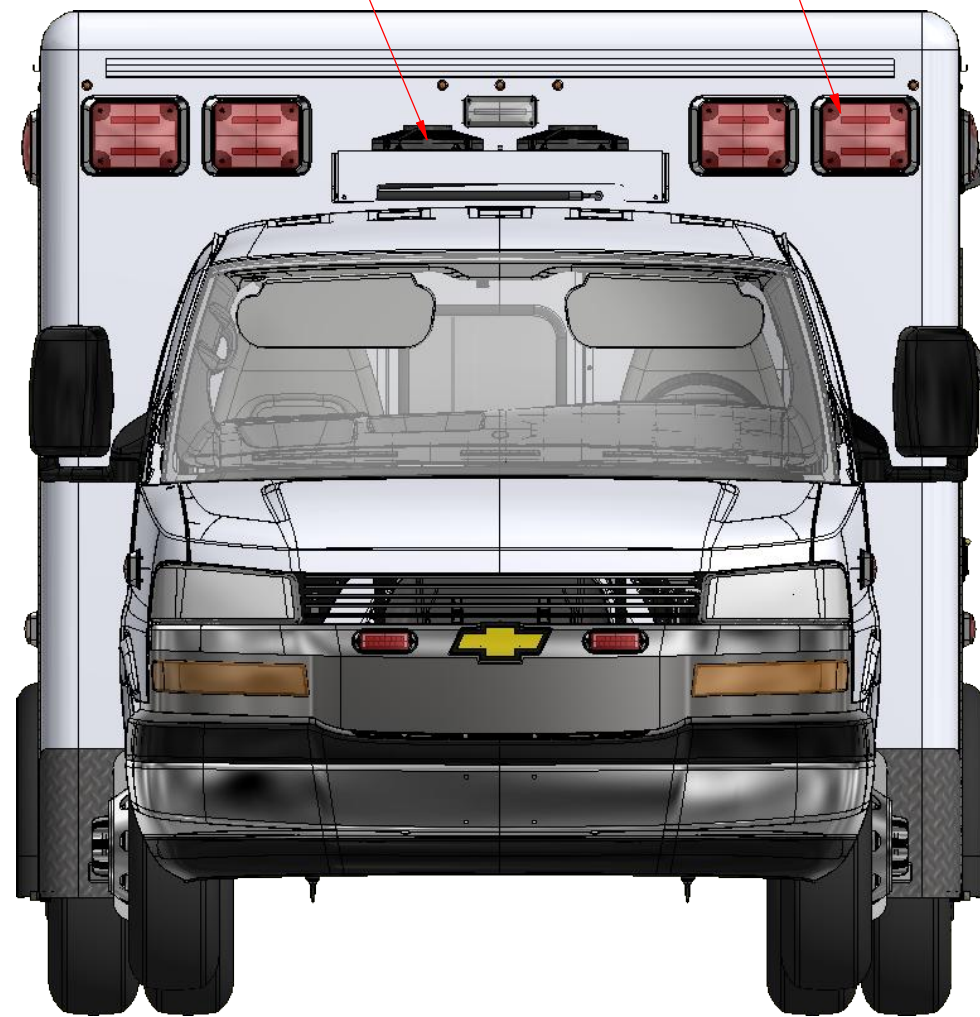
CHEV mirrors standard

(2) red intersection emergency LEDs standard

(2) Interior heights available
 68" (Optional)
 72" (Shown)

Front 5 emergency light configuration with Condenser (shown)
 4 x 900 series ; 1 x 700 series
 R/R/W/R/R (Shown)
 (Optional chrome flanges available)

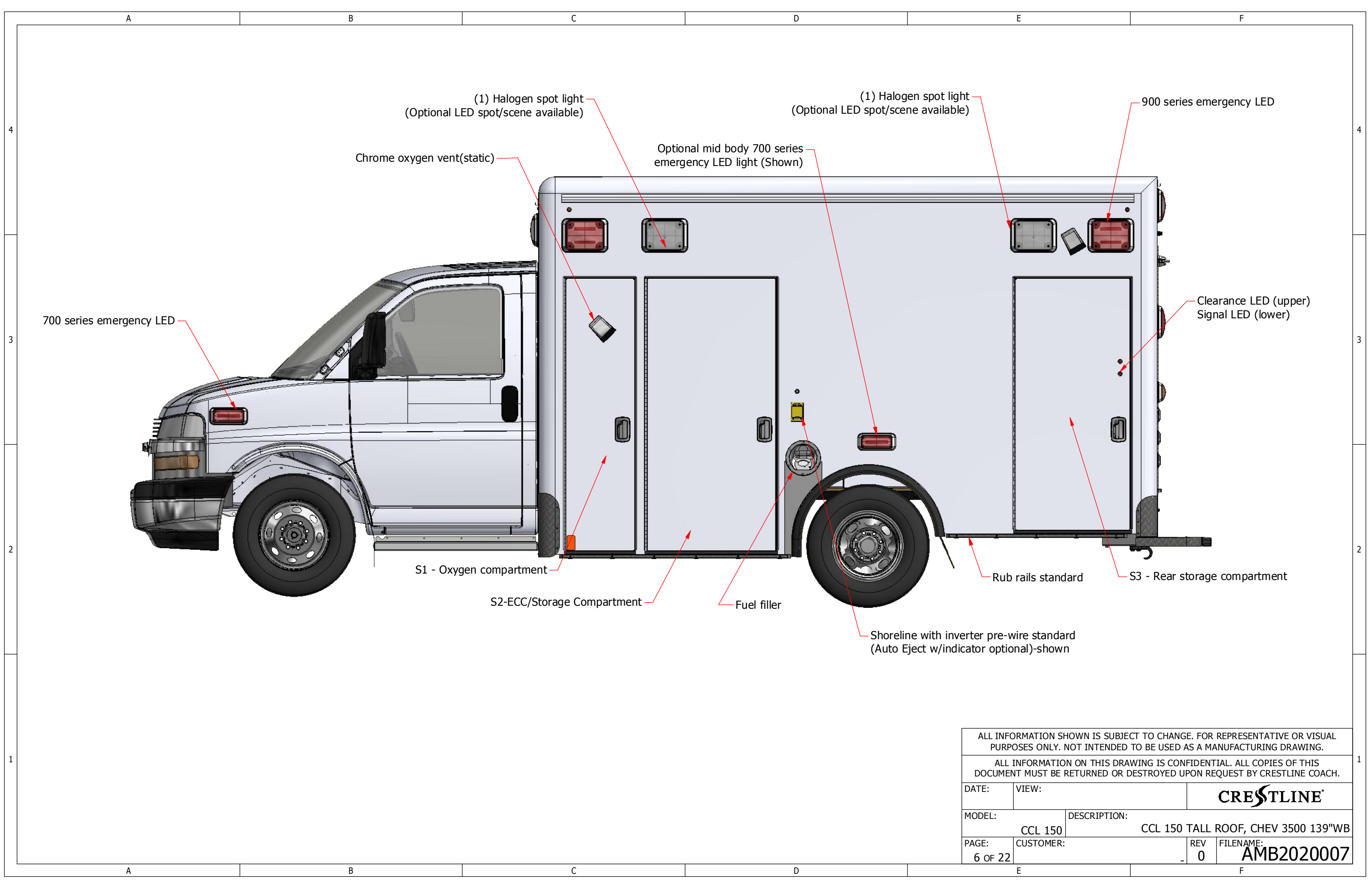
(Optional Condenser)-shown



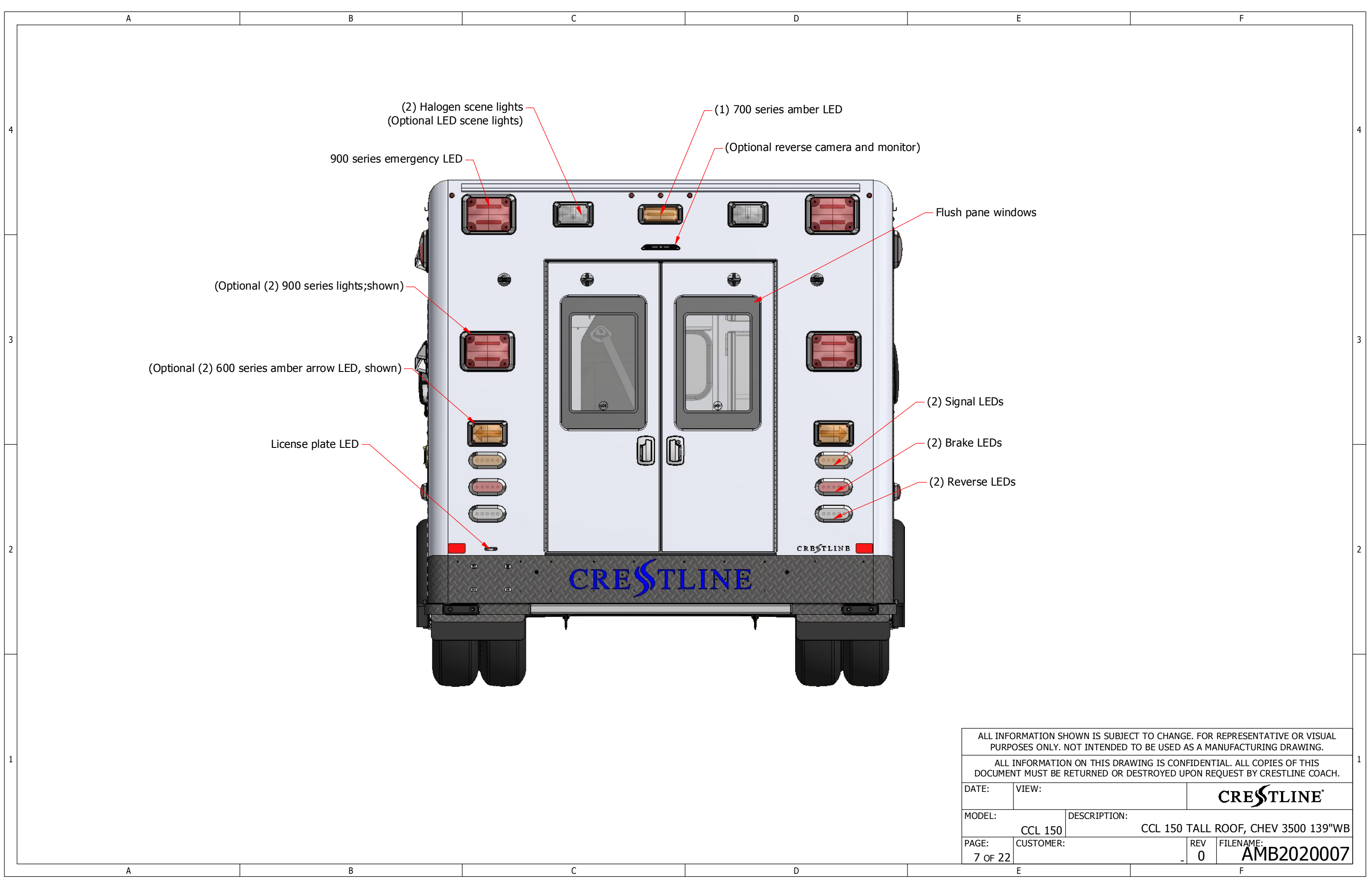
ALL INFORMATION SHOWN IS SUBJECT TO CHANGE. FOR REPRESENTATIVE OR VISUAL PURPOSES ONLY. NOT INTENDED TO BE USED AS A MANUFACTURING DRAWING.

ALL INFORMATION ON THIS DRAWING IS CONFIDENTIAL. ALL COPIES OF THIS DOCUMENT MUST BE RETURNED OR DESTROYED UPON REQUEST BY CRESTLINE COACH.

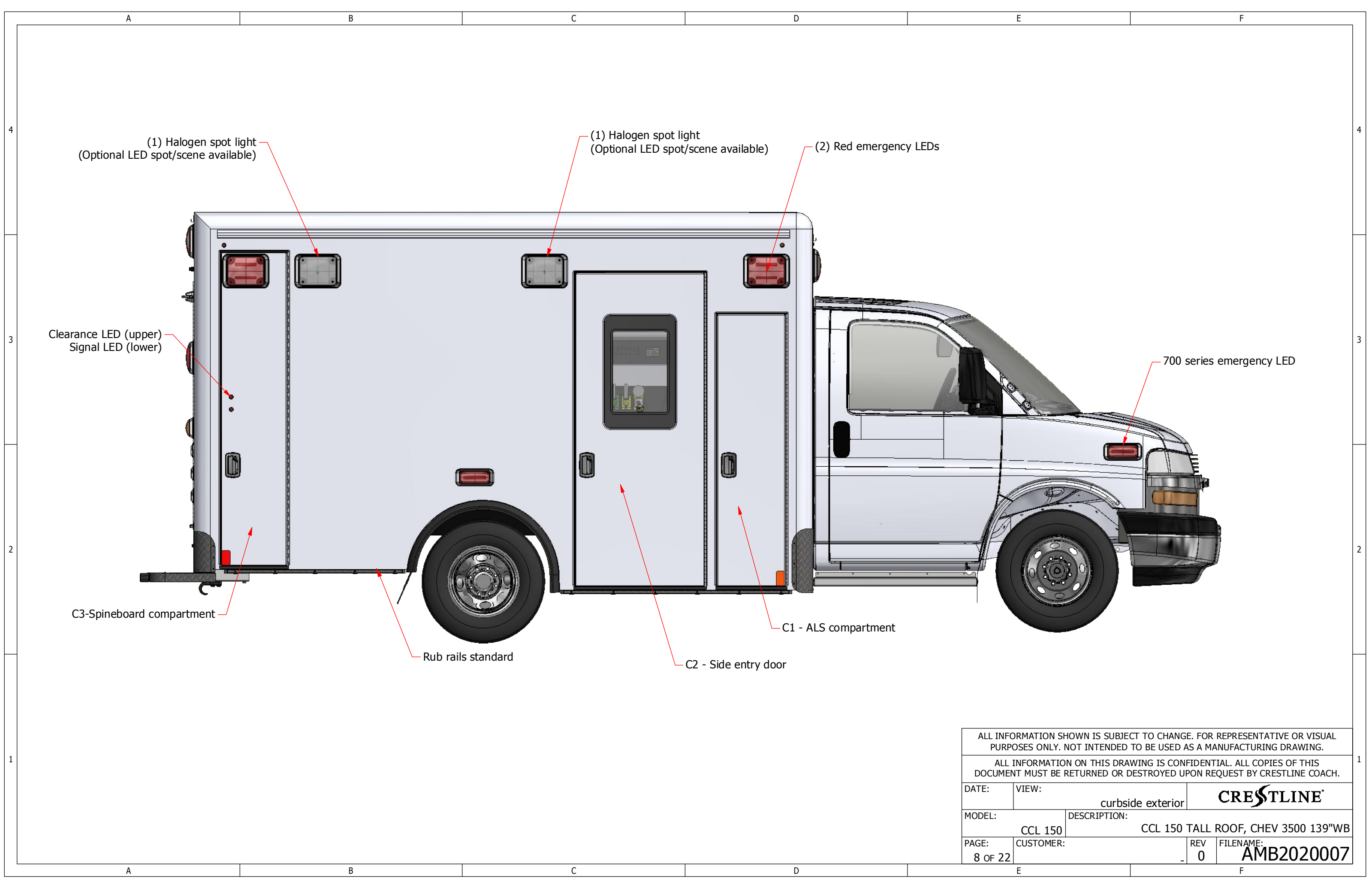
DATE:	VIEW:	CRESTLINE	
MODEL:	CCL 150	DESCRIPTION:	CCL 150 TALL ROOF, CHEV 3500 139"WB
PAGE:	5 OF 22	CUSTOMER:	REV 0 FILENAME: AMB2020007



ALL INFORMATION SHOWN IS SUBJECT TO CHANGE. FOR REPRESENTATIVE OR VISUAL PURPOSES ONLY. NOT INTENDED TO BE USED AS A MANUFACTURING DRAWING.			
ALL INFORMATION ON THIS DRAWING IS CONFIDENTIAL. ALL COPIES OF THIS DOCUMENT MUST BE RETURNED OR DESTROYED UPON REQUEST BY CRESTLINE COACH.			
DATE:	VIEW:	CRESTLINE	
MODEL:	CCL 150	DESCRIPTION:	CCL 150 TALL ROOF, CHEV 3500 139"WB
PAGE:	CUSTOMER:	REV	FILENAME:
6 OF 22		0	AMB2020007



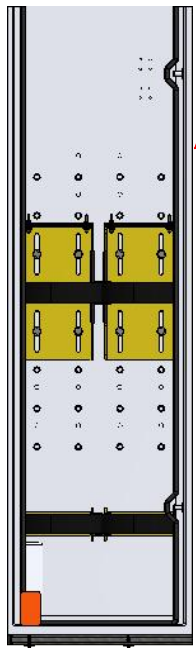
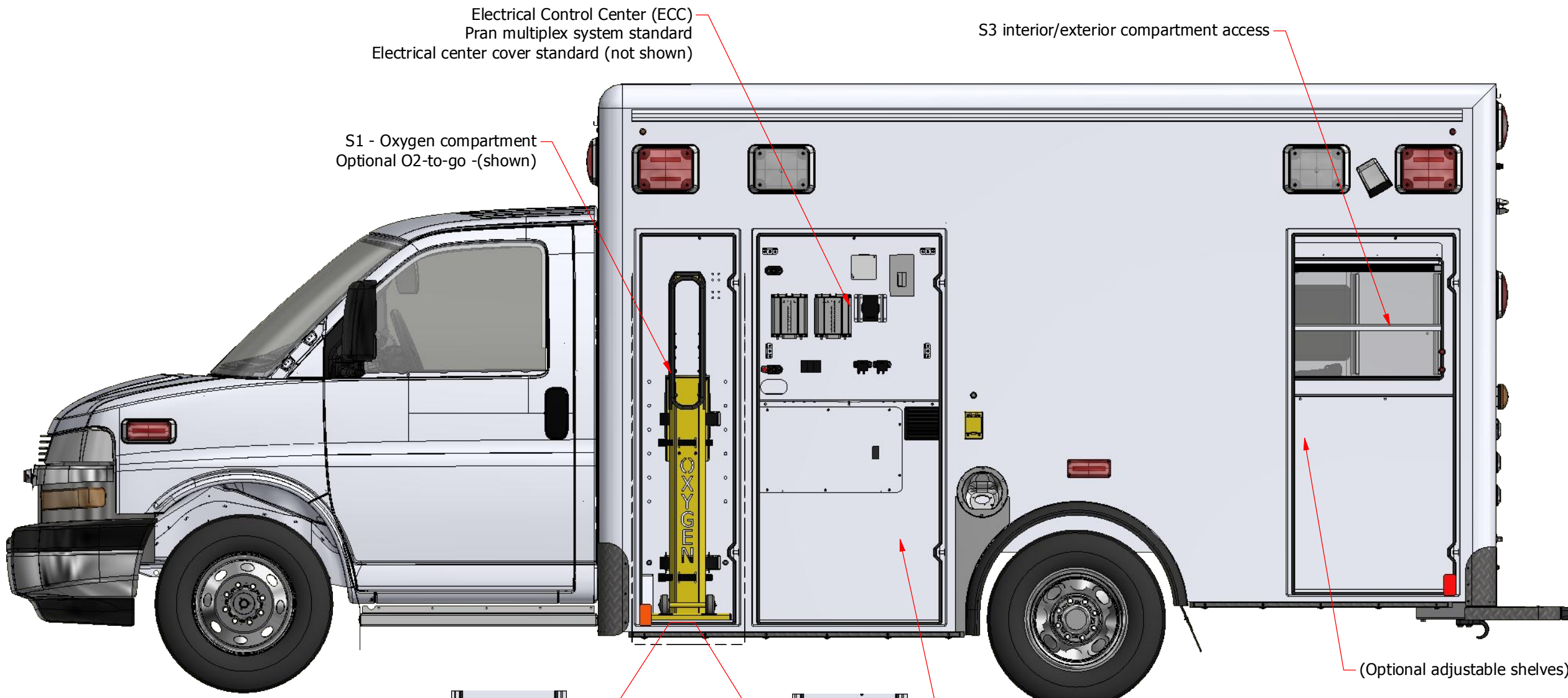
ALL INFORMATION SHOWN IS SUBJECT TO CHANGE. FOR REPRESENTATIVE OR VISUAL PURPOSES ONLY. NOT INTENDED TO BE USED AS A MANUFACTURING DRAWING.			
ALL INFORMATION ON THIS DRAWING IS CONFIDENTIAL. ALL COPIES OF THIS DOCUMENT MUST BE RETURNED OR DESTROYED UPON REQUEST BY CRESTLINE COACH.			
DATE:	VIEW:	CRESTLINE	
MODEL:	CCL 150	DESCRIPTION:	CCL 150 TALL ROOF, CHEV 3500 139"WB
PAGE:	CUSTOMER:	REV	FILENAME:
7 OF 22		0	AMB2020007



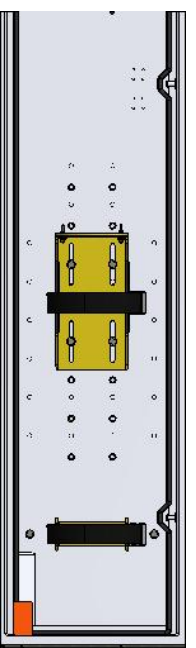
ALL INFORMATION SHOWN IS SUBJECT TO CHANGE. FOR REPRESENTATIVE OR VISUAL PURPOSES ONLY. NOT INTENDED TO BE USED AS A MANUFACTURING DRAWING.

ALL INFORMATION ON THIS DRAWING IS CONFIDENTIAL. ALL COPIES OF THIS DOCUMENT MUST BE RETURNED OR DESTROYED UPON REQUEST BY CRESTLINE COACH.

DATE:	VIEW:	curbside exterior	CRESTLINE
MODEL:	DESCRIPTION:	CCL 150 TALL ROOF, CHEV 3500 139"WB	
PAGE:	CUSTOMER:	REV	FILENAME:
8 OF 22		0	AMB2020007



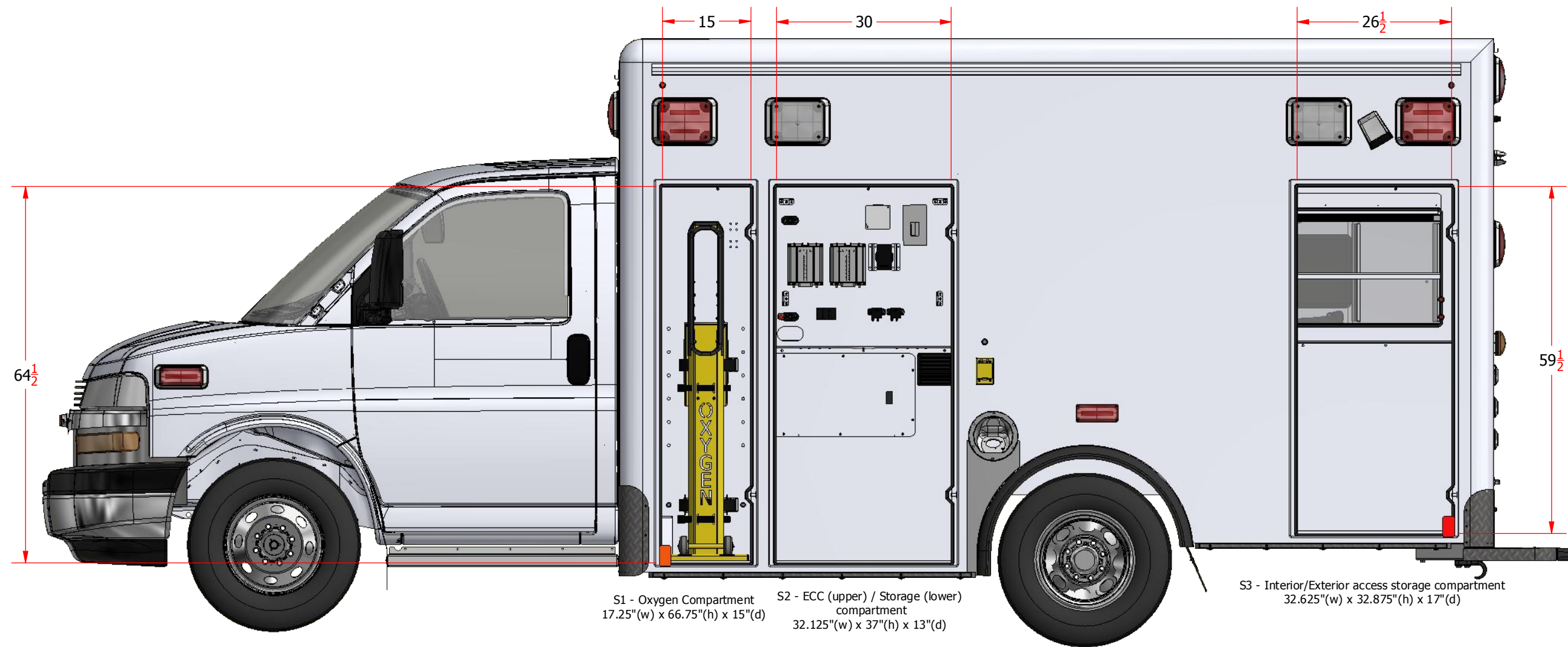
S1 - Oxygen compartment
 Certified oxygen retention bracket
 Dual Tank Dual Straps option-Shown
 Optional Three strap set up available



S1 - Oxygen compartment
 Certified oxygen retention bracket
 Single Tank Dual Straps option-Shown
 Optional Three strap set up available

S2 - Storage area

ALL INFORMATION SHOWN IS SUBJECT TO CHANGE. FOR REPRESENTATIVE OR VISUAL PURPOSES ONLY. NOT INTENDED TO BE USED AS A MANUFACTURING DRAWING.			
ALL INFORMATION ON THIS DRAWING IS CONFIDENTIAL. ALL COPIES OF THIS DOCUMENT MUST BE RETURNED OR DESTROYED UPON REQUEST BY CRESTLINE COACH.			
DATE:	VIEW:	CRESTLINE	
MODEL:	DESCRIPTION:		
	CCL 150	CCL 150 TALL ROOF, CHEV 3500 139"WB	
PAGE:	CUSTOMER:	REV	FILENAME:
9 OF 22		0	AMB2020007



S1 - Oxygen Compartment
17.25"(w) x 66.75"(h) x 15"(d)

S2 - ECC (upper) / Storage (lower)
compartment
32.125"(w) x 37"(h) x 13"(d)

S3 - Interior/Exterior access storage compartment
32.625"(w) x 32.875"(h) x 17"(d)

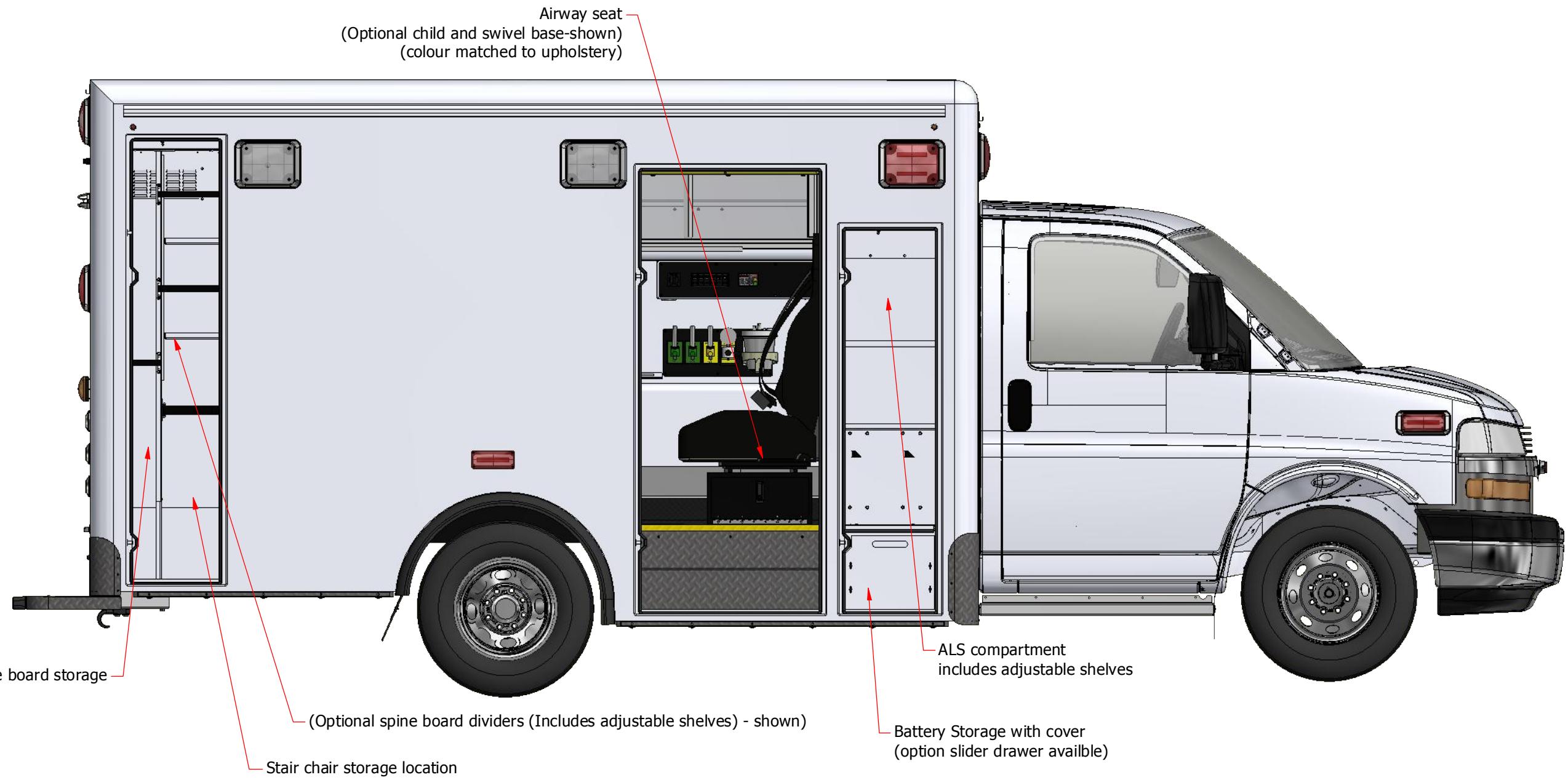
ALL INFORMATION SHOWN IS SUBJECT TO CHANGE. FOR REPRESENTATIVE OR VISUAL PURPOSES ONLY. NOT INTENDED TO BE USED AS A MANUFACTURING DRAWING.

ALL INFORMATION ON THIS DRAWING IS CONFIDENTIAL. ALL COPIES OF THIS DOCUMENT MUST BE RETURNED OR DESTROYED UPON REQUEST BY CRESTLINE COACH.

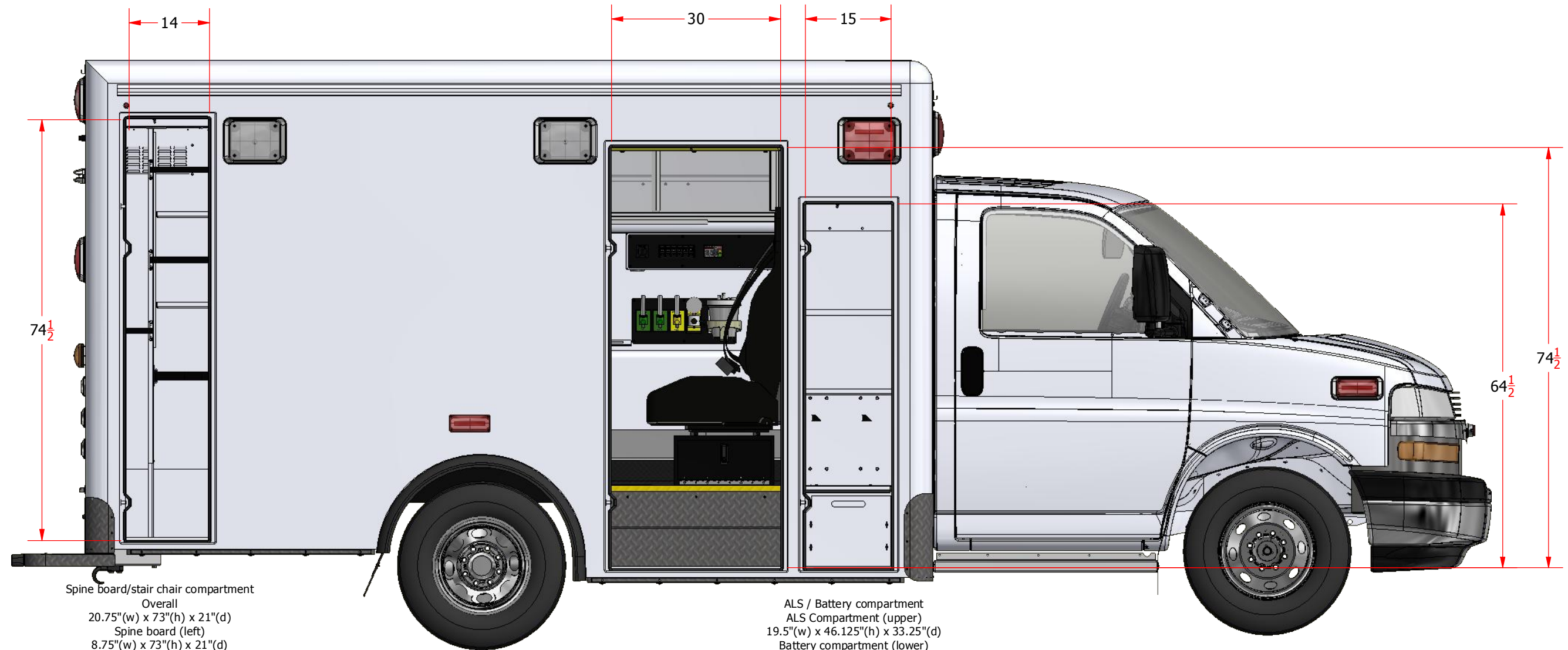
DATE:	VIEW:	CRESTLINE	
MODEL:	DESCRIPTION:		
	CCL 150	CCL 150 TALL ROOF, CHEV 3500 139"WB	
PAGE:	CUSTOMER:	REV	FILENAME:
10 OF 22		0	AMB2020007



ALL INFORMATION SHOWN IS SUBJECT TO CHANGE. FOR REPRESENTATIVE OR VISUAL PURPOSES ONLY. NOT INTENDED TO BE USED AS A MANUFACTURING DRAWING.			
ALL INFORMATION ON THIS DRAWING IS CONFIDENTIAL. ALL COPIES OF THIS DOCUMENT MUST BE RETURNED OR DESTROYED UPON REQUEST BY CRESTLINE COACH.			
DATE:	VIEW:	CRESTLINE	
MODEL:	CCL 150	DESCRIPTION:	CCL 150 TALL ROOF, CHEV 3500 139"WB
PAGE:	CUSTOMER:	REV	FILENAME:
11 OF 22		0	AMB2020007



ALL INFORMATION SHOWN IS SUBJECT TO CHANGE. FOR REPRESENTATIVE OR VISUAL PURPOSES ONLY. NOT INTENDED TO BE USED AS A MANUFACTURING DRAWING.			
ALL INFORMATION ON THIS DRAWING IS CONFIDENTIAL. ALL COPIES OF THIS DOCUMENT MUST BE RETURNED OR DESTROYED UPON REQUEST BY CRESTLINE COACH.			
DATE:	VIEW:	CRESTLINE	
MODEL:	CCL 150	DESCRIPTION:	CCL 150 TALL ROOF, CHEV 3500 139"WB
PAGE:	CUSTOMER:	REV	FILENAME:
12 OF 22		0	AMB2020007



Spine board/stair chair compartment
 Overall
 20.75"(w) x 73"(h) x 21"(d)
 Spine board (left)
 8.75"(w) x 73"(h) x 21"(d)
 Stair chair (right lower)
 11"(w) x 41"(h) x 21"(d)
 Storage (c-collar) (right upper)
 11"(w) x 32"(h) x 21"(d)

ALS / Battery compartment
 ALS Compartment (upper)
 19.5"(w) x 46.125"(h) x 33.25"(d)
 Battery compartment (lower)
 17.25"(w) x 13.625"(h) x 19.25"(d)

ALL INFORMATION SHOWN IS SUBJECT TO CHANGE. FOR REPRESENTATIVE OR VISUAL PURPOSES ONLY. NOT INTENDED TO BE USED AS A MANUFACTURING DRAWING.			
ALL INFORMATION ON THIS DRAWING IS CONFIDENTIAL. ALL COPIES OF THIS DOCUMENT MUST BE RETURNED OR DESTROYED UPON REQUEST BY CRESTLINE COACH.			
DATE:	VIEW:	CRESTLINE	
MODEL:	CCL 150	DESCRIPTION:	CCL 150 TALL ROOF, CHEV 3500 139"WB
PAGE:	CUSTOMER:	REV	FILENAME:
13 OF 22		0	AMB2020007

A

B

C

D

E

F

4

4

3

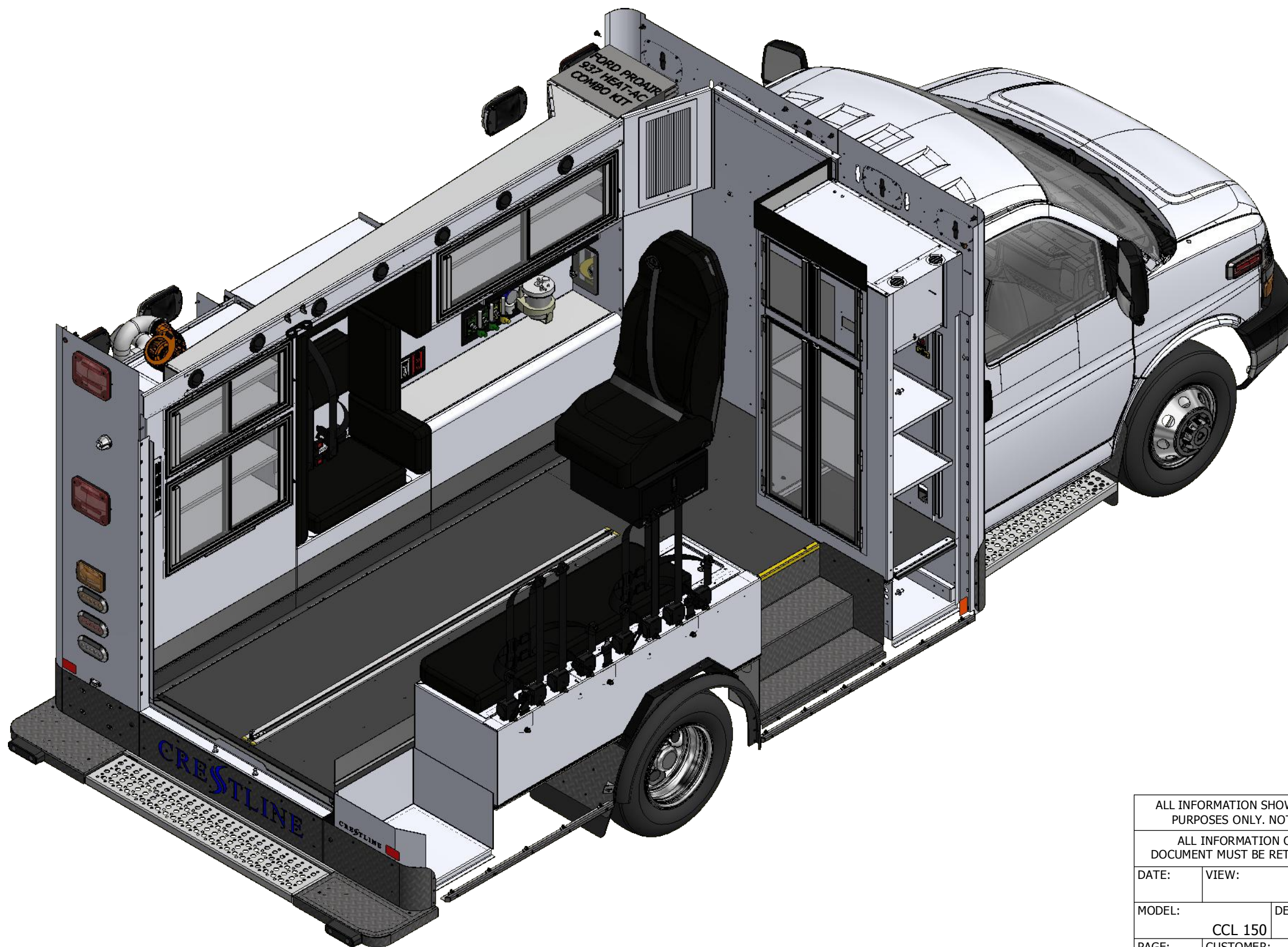
3

2

2

1

1



ALL INFORMATION SHOWN IS SUBJECT TO CHANGE. FOR REPRESENTATIVE OR VISUAL PURPOSES ONLY. NOT INTENDED TO BE USED AS A MANUFACTURING DRAWING.

ALL INFORMATION ON THIS DRAWING IS CONFIDENTIAL. ALL COPIES OF THIS DOCUMENT MUST BE RETURNED OR DESTROYED UPON REQUEST BY CRESTLINE COACH.

DATE:	VIEW:	Interior view	CRESTLINE
MODEL:	DESCRIPTION:	CCL 150	
PAGE:	CUSTOMER:	REV	FILENAME:
14 OF 22		0	AMB2020007

A

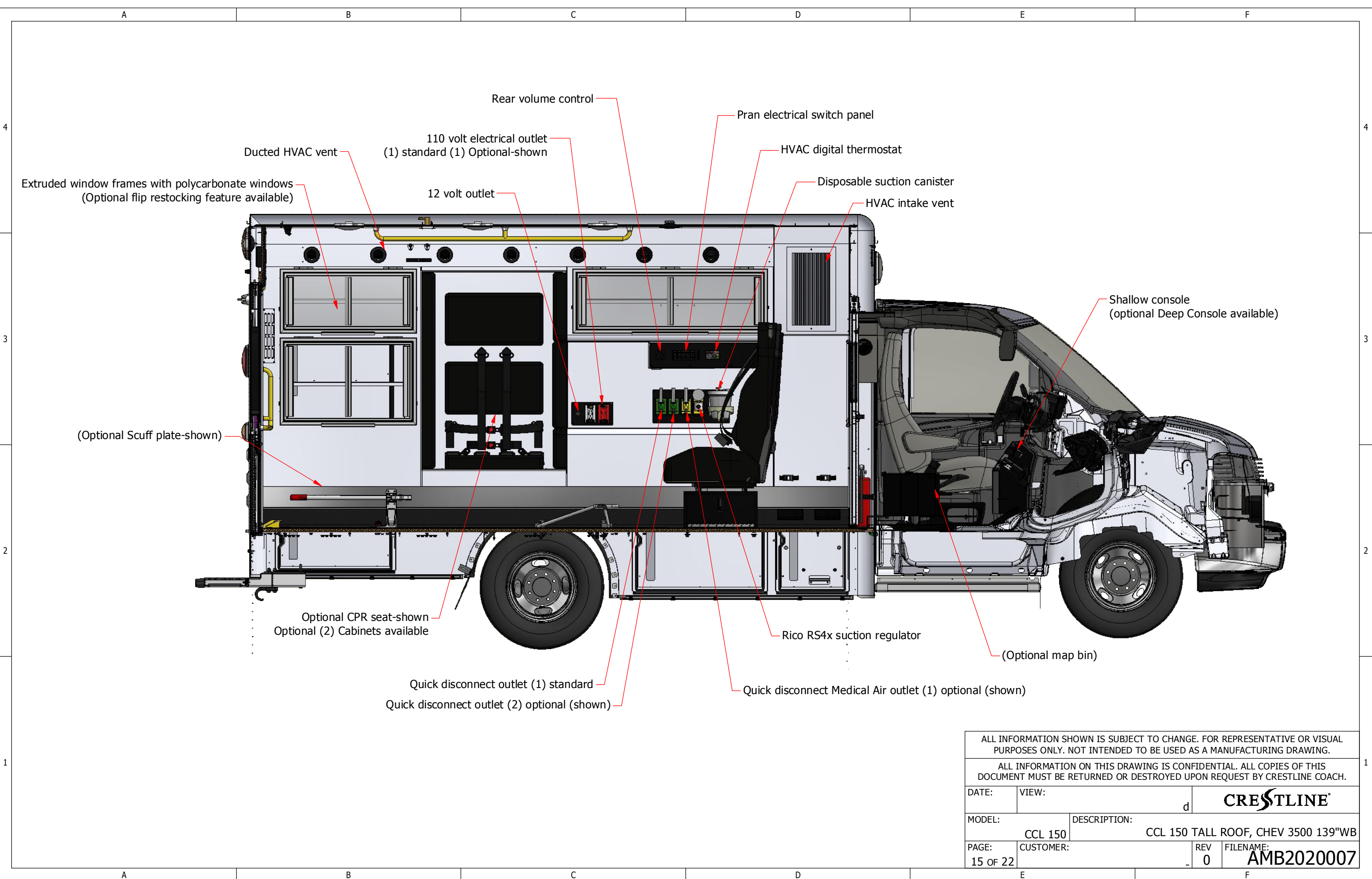
B

C

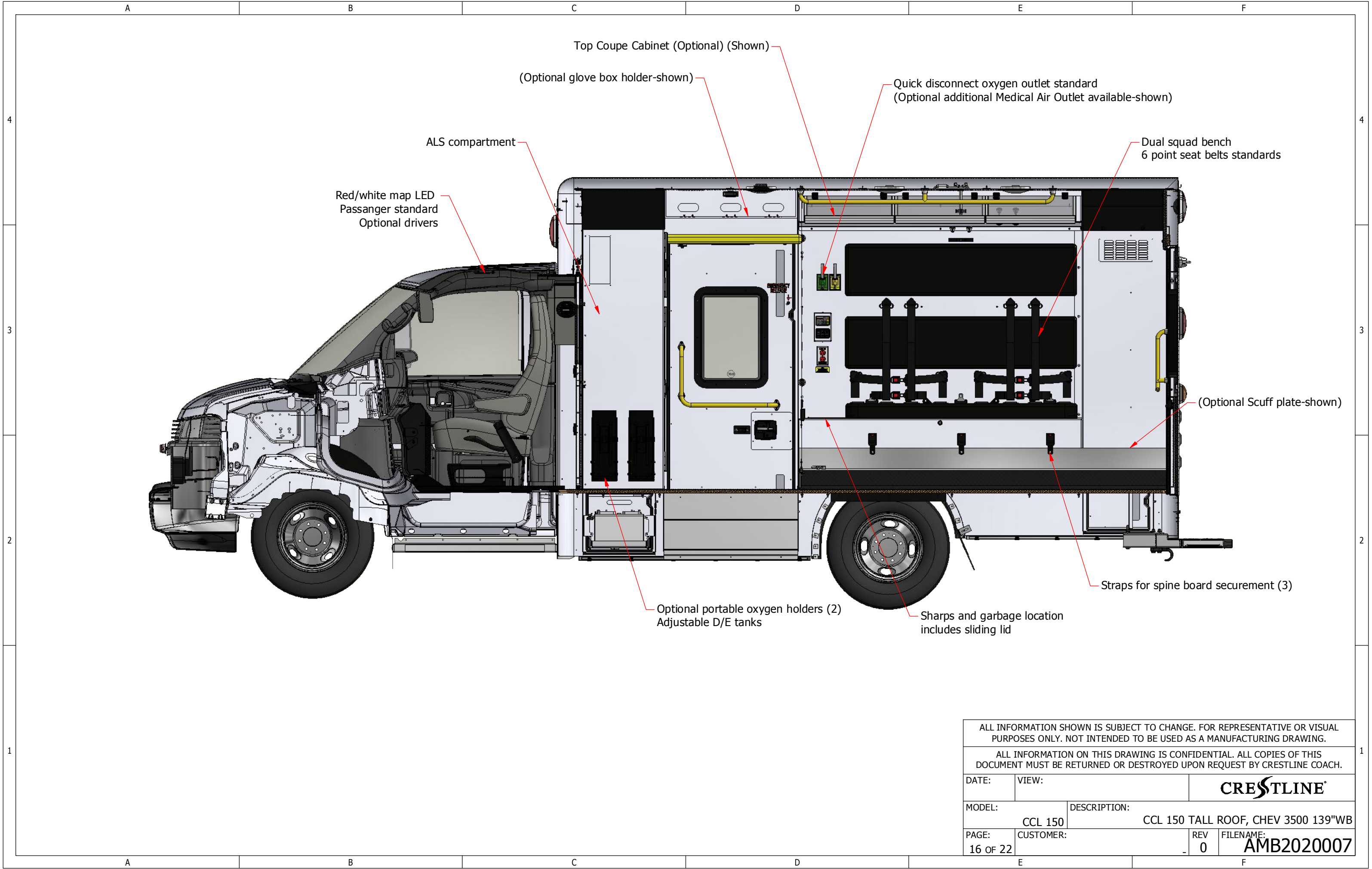
D

E

F



ALL INFORMATION SHOWN IS SUBJECT TO CHANGE. FOR REPRESENTATIVE OR VISUAL PURPOSES ONLY. NOT INTENDED TO BE USED AS A MANUFACTURING DRAWING.			
ALL INFORMATION ON THIS DRAWING IS CONFIDENTIAL. ALL COPIES OF THIS DOCUMENT MUST BE RETURNED OR DESTROYED UPON REQUEST BY CRESTLINE COACH.			
DATE:	VIEW:	d	CRESTLINE
MODEL:	CCL 150	DESCRIPTION:	CCL 150 TALL ROOF, CHEV 3500 139"WB
PAGE:	CUSTOMER:	REV	FILENAME:
15 OF 22		0	AMB2020007



Top Coupe Cabinet (Optional) (Shown)

(Optional glove box holder-shown)

Quick disconnect oxygen outlet standard
(Optional additional Medical Air Outlet available-shown)

ALS compartment

Dual squad bench
6 point seat belts standards

Red/white map LED
Passanger standard
Optional drivers

(Optional Scuff plate-shown)

Optional portable oxygen holders (2)
Adjustable D/E tanks

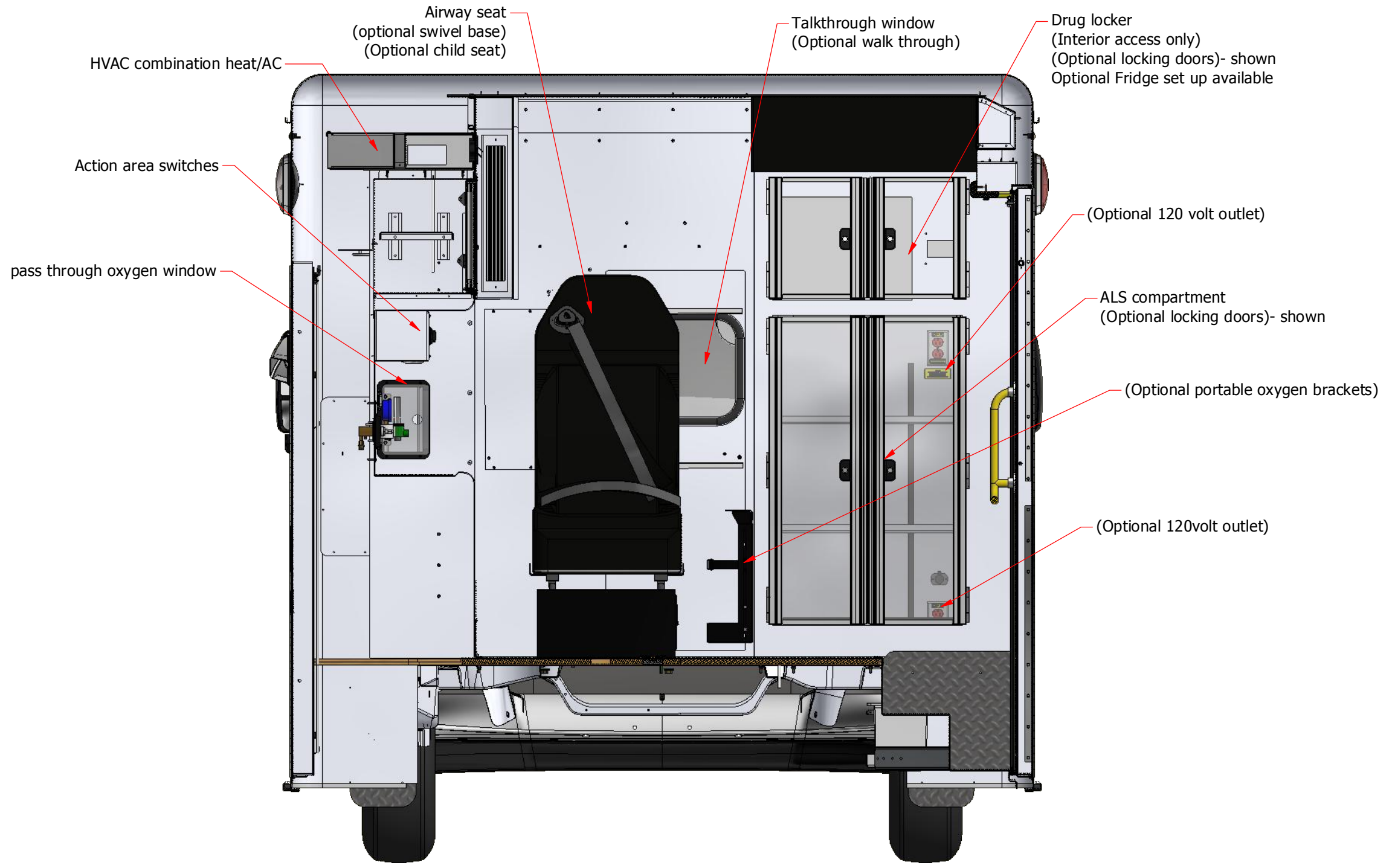
Sharps and garbage location
includes sliding lid

Straps for spine board securement (3)

ALL INFORMATION SHOWN IS SUBJECT TO CHANGE. FOR REPRESENTATIVE OR VISUAL PURPOSES ONLY. NOT INTENDED TO BE USED AS A MANUFACTURING DRAWING.

ALL INFORMATION ON THIS DRAWING IS CONFIDENTIAL. ALL COPIES OF THIS DOCUMENT MUST BE RETURNED OR DESTROYED UPON REQUEST BY CRESTLINE COACH.

DATE:	VIEW:	CRESTLINE	
MODEL:	CCL 150	DESCRIPTION:	CCL 150 TALL ROOF, CHEV 3500 139"WB
PAGE:	CUSTOMER:	REV	FILENAME:
16 OF 22		0	AMB2020007



ALL INFORMATION SHOWN IS SUBJECT TO CHANGE. FOR REPRESENTATIVE OR VISUAL PURPOSES ONLY. NOT INTENDED TO BE USED AS A MANUFACTURING DRAWING.			
ALL INFORMATION ON THIS DRAWING IS CONFIDENTIAL. ALL COPIES OF THIS DOCUMENT MUST BE RETURNED OR DESTROYED UPON REQUEST BY CRESTLINE COACH.			
DATE:	VIEW:	INTERIOR FRONT	
MODEL:		DESCRIPTION:	
CCL 150		CCL 150 TALL ROOF, CHEV 3500 139"WB	
PAGE:	CUSTOMER:	REV	FILENAME:
17 OF 22		0	AMB2020007

A

B

C

D

E

F

4

4

3

3

2

2

1

1

A

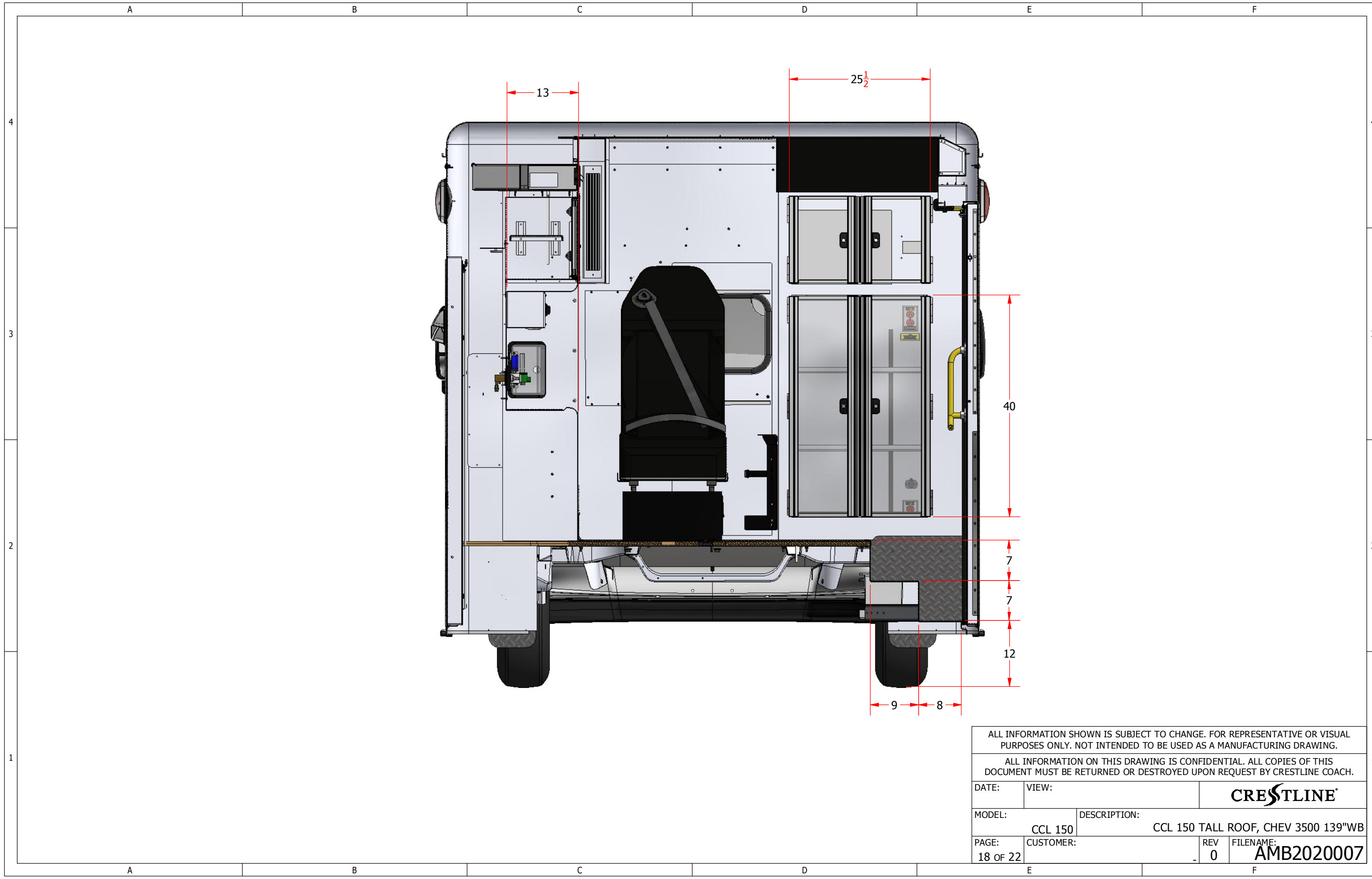
B

C

D

E

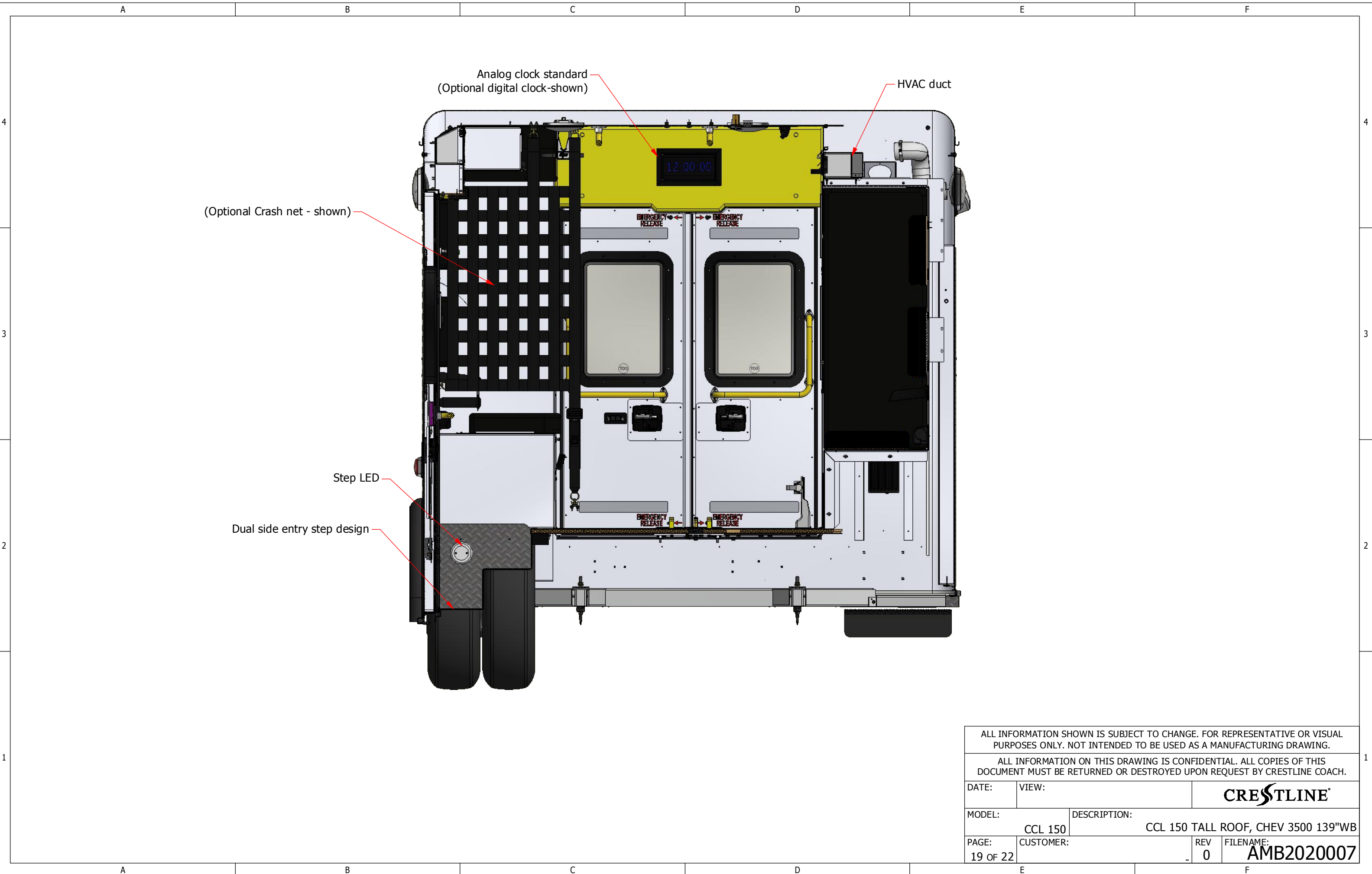
F



ALL INFORMATION SHOWN IS SUBJECT TO CHANGE. FOR REPRESENTATIVE OR VISUAL PURPOSES ONLY. NOT INTENDED TO BE USED AS A MANUFACTURING DRAWING.

ALL INFORMATION ON THIS DRAWING IS CONFIDENTIAL. ALL COPIES OF THIS DOCUMENT MUST BE RETURNED OR DESTROYED UPON REQUEST BY CRESTLINE COACH.

DATE:	VIEW:	CRESTLINE	
MODEL:	CCL 150	DESCRIPTION:	CCL 150 TALL ROOF, CHEV 3500 139"WB
PAGE:	CUSTOMER:	REV	FILENAME:
18 OF 22		0	AMB2020007



Analog clock standard
(Optional digital clock-shown)

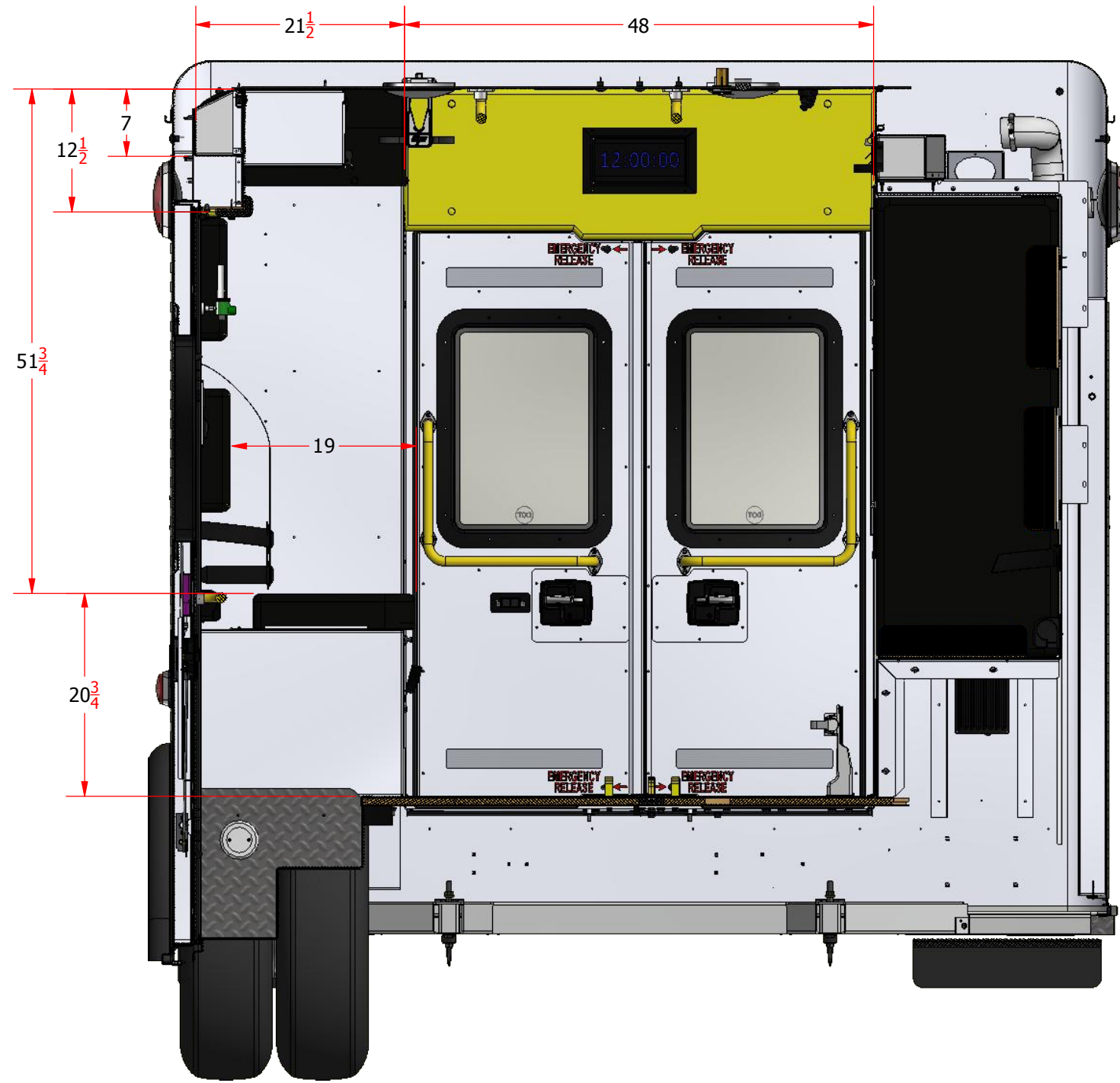
HVAC duct

(Optional Crash net - shown)

Step LED

Dual side entry step design

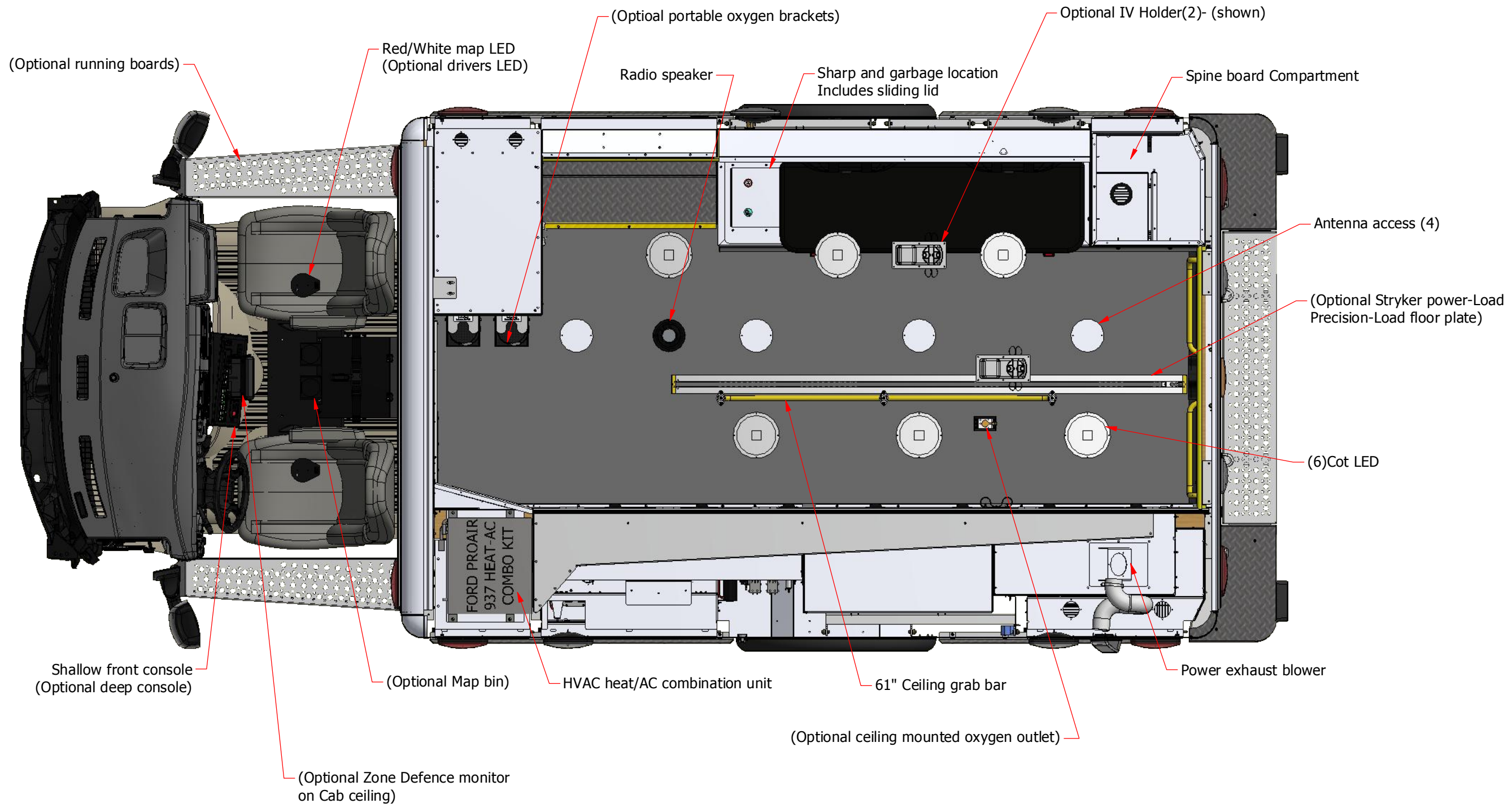
ALL INFORMATION SHOWN IS SUBJECT TO CHANGE. FOR REPRESENTATIVE OR VISUAL PURPOSES ONLY. NOT INTENDED TO BE USED AS A MANUFACTURING DRAWING.			
ALL INFORMATION ON THIS DRAWING IS CONFIDENTIAL. ALL COPIES OF THIS DOCUMENT MUST BE RETURNED OR DESTROYED UPON REQUEST BY CRESTLINE COACH.			
DATE:	VIEW:	CRESTLINE	
MODEL:	CCL 150	DESCRIPTION:	CCL 150 TALL ROOF, CHEV 3500 139"WB
PAGE:	CUSTOMER:	REV	FILENAME:
19 OF 22		0	AMB2020007



ALL INFORMATION SHOWN IS SUBJECT TO CHANGE. FOR REPRESENTATIVE OR VISUAL PURPOSES ONLY. NOT INTENDED TO BE USED AS A MANUFACTURING DRAWING.

ALL INFORMATION ON THIS DRAWING IS CONFIDENTIAL. ALL COPIES OF THIS DOCUMENT MUST BE RETURNED OR DESTROYED UPON REQUEST BY CRESTLINE COACH.

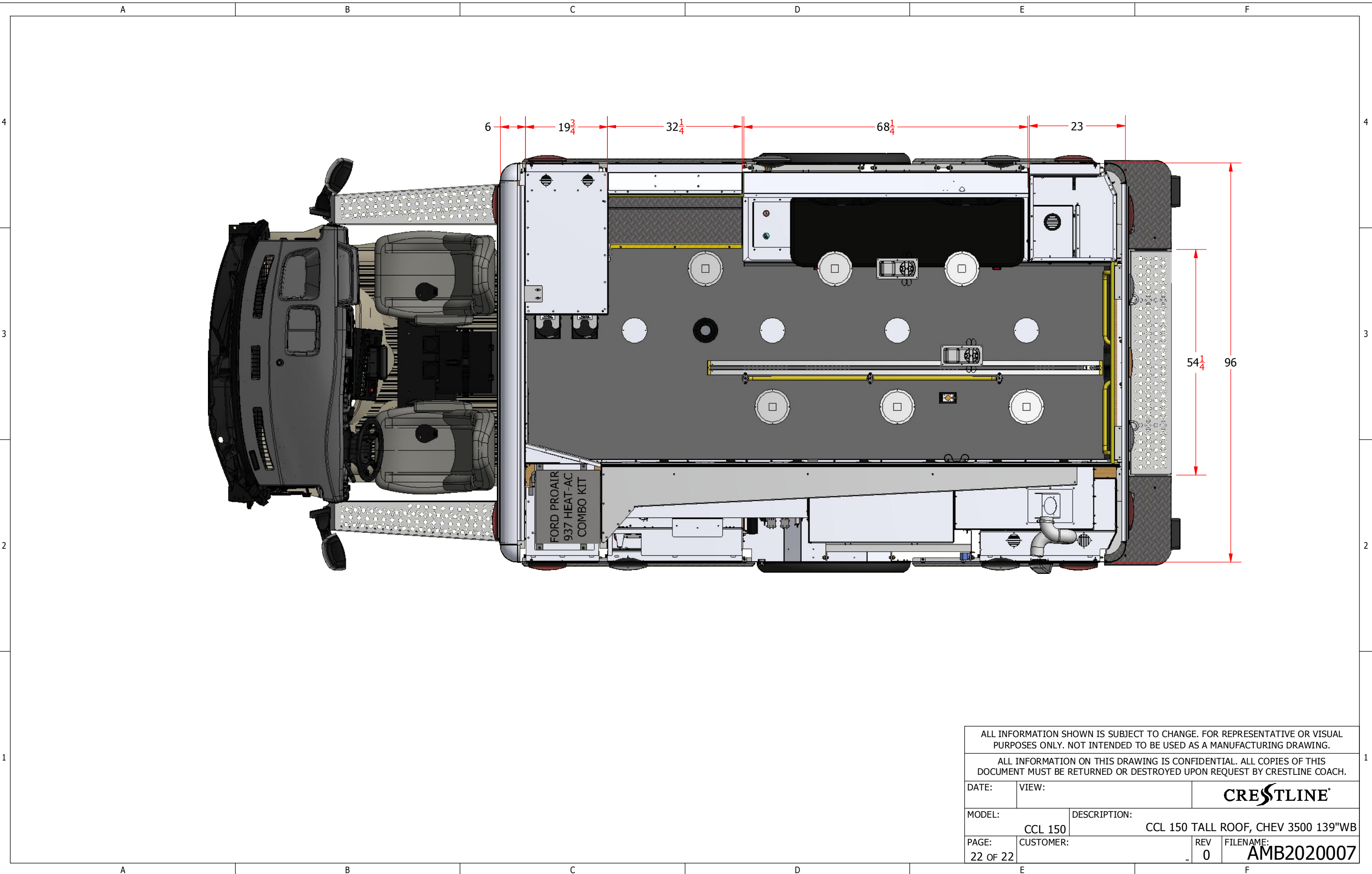
DATE:	VIEW:	CRESTLINE	
MODEL:	CCL 150	DESCRIPTION:	CCL 150 TALL ROOF, CHEV 3500 139"WB
PAGE:	20 OF 22	CUSTOMER:	REV 0 FILENAME: AMB2020007



ALL INFORMATION SHOWN IS SUBJECT TO CHANGE. FOR REPRESENTATIVE OR VISUAL PURPOSES ONLY. NOT INTENDED TO BE USED AS A MANUFACTURING DRAWING.

ALL INFORMATION ON THIS DRAWING IS CONFIDENTIAL. ALL COPIES OF THIS DOCUMENT MUST BE RETURNED OR DESTROYED UPON REQUEST BY CRESTLINE COACH.

DATE:	VIEW:	CRESTLINE	
MODEL:	CCL 150	DESCRIPTION:	CCL 150 TALL ROOF, CHEV 3500 139"WB
PAGE:	21 OF 22	CUSTOMER:	REV 0 FILENAME: AMB2020007



ALL INFORMATION SHOWN IS SUBJECT TO CHANGE. FOR REPRESENTATIVE OR VISUAL PURPOSES ONLY. NOT INTENDED TO BE USED AS A MANUFACTURING DRAWING.

ALL INFORMATION ON THIS DRAWING IS CONFIDENTIAL. ALL COPIES OF THIS DOCUMENT MUST BE RETURNED OR DESTROYED UPON REQUEST BY CRESTLINE COACH.

DATE:	VIEW:	CRESTLINE	
MODEL:	CCL 150	DESCRIPTION:	CCL 150 TALL ROOF, CHEV 3500 139"WB
PAGE:	CUSTOMER:	REV	FILENAME:
22 OF 22		0	AMB2020007