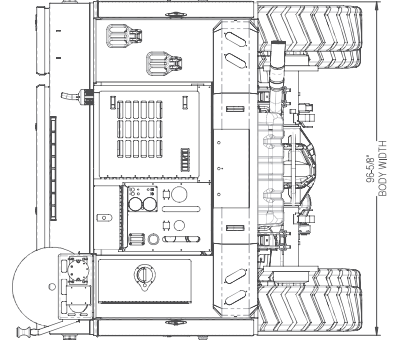
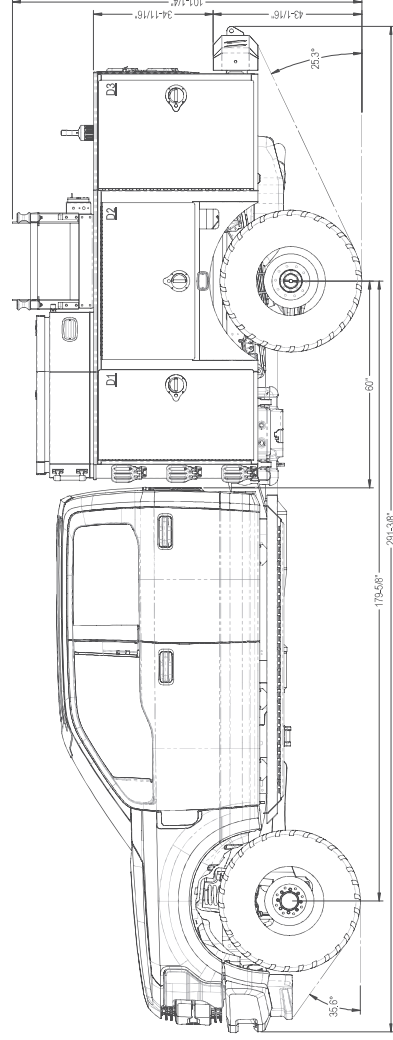
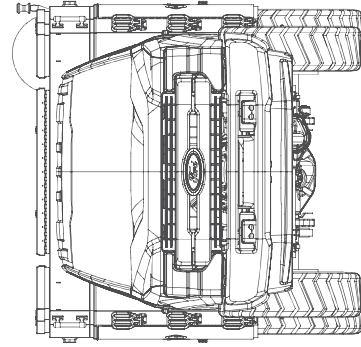
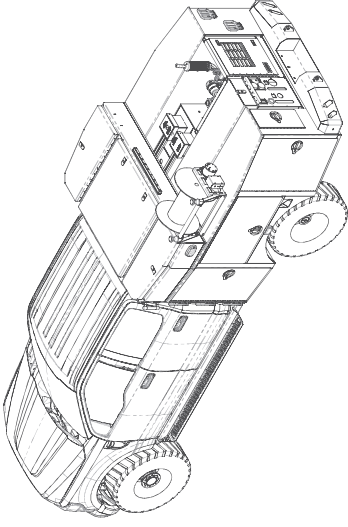
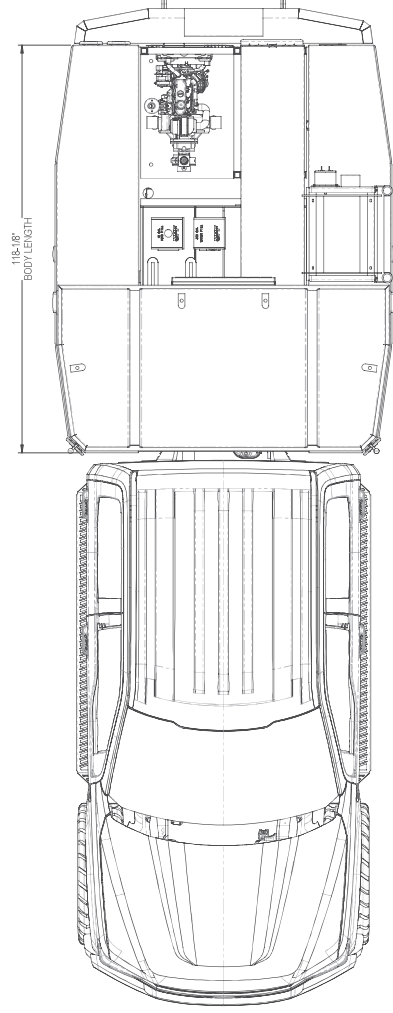
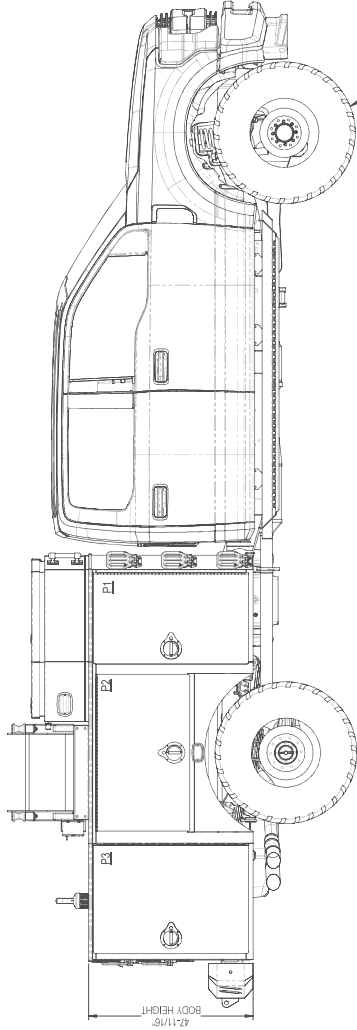


PASSENGER STORAGE COMPARTMENTS				
LETTER	WIDTH (W)	HEIGHT (H)	DEPTH (D)	CAPACITY
D1	24.00	41.50	20.75	13.41
D2	42.00	24.50	21.00	14.17
D3	28.50	41.50	20.75	14.70
TOTAL (CUBIC FEET)				42.28
PASSENGER STORAGE COMPARTMENTS				
LETTER	WIDTH (W)	HEIGHT (H)	DEPTH (D)	CAPACITY
P1	24.00	41.50	20.75	13.41
P2	42.00	24.50	21.00	14.17
P3	28.50	41.50	20.75	14.70
TOTAL (CUBIC FEET)				42.28

NOTE: VEHICLE HEIGHT IS AN APPROXIMATION BASED ON A 6'0" TALL ADULT IN SERVICE. HEIGHT MAY VARY.



**BME FIRE TRUCKS**  
 4000 S. PARKWAY  
 WILSON, NC 27157  
 TEL: 704.399.1136  
 FAX: 704.399.1137  
 WWW.BMEFIRETRUCKS.COM

DATE: 01/13/13  
 DRAWN BY: J. B. BROWN  
 CHECKED BY: J. B. BROWN  
 PROJECT NO: 130113  
 SHEET NO: 1

PLANT: 130113  
 PART NO: 130113  
 REV: 1